



USER INSTRUCTION MANUAL
Stat-x | mobile x-ray stand

Verlengde Nijverheidsweg 10

9482 WT Tynaarlo

The Netherlands

+31 50 8200 257

info@podoblock.com

podoblock.com



After sales correspondence

All correspondence relating to the after sales service of Podoblock B.V. to be addressed to:

NL Customers

Podoblock B.V.
Verlengde Nijverheidsweg 10
9482 WT Tynaarlo
The Netherlands
Tel: +31 50 8200 257
Fax: +31 50 8200 212

Overseas customers

Contact your local distributor. In case of doubt contact Podoblock BV.
For further information visit www.podoblock.com

Trade marks

Podoblock™ is a trading name of Podoblock B.V.



The CE marking affixed to the products certifies that it complies with the European Medical Devices Directive 93/42/EEC and related legislation

1.0 Preliminary information

WARNING

Read this preliminary information carefully and note ALL of the warnings, cautions and safety notes contained within this manual before using the Stat-X. Keep this manual close at hand at all times for reference. The Stat-X must only be used as detailed within this manual. Failure to do so could result in injury to patients or users, or damage to the equipment.



1.1 This manual should be readily accessible for reference at all times and be referred to for details of the following products: Stat-X Bucky, Vaquero and Espléndido.

1.2 Sections marked with this symbol give guidance on possible actions
Ensure all warnings in the manual are strictly complied with.



1.3 Section 3 (Operation) provides information detailing how to use the different types of Stat-X. It is strongly recommended that the user has read - and is familiar with - section 3 before using the Stat-X products. For those customers who bought a Stat-X Espléndido, an additional chapter is added - starting in section 5 - to reference the use of the special 3D-head that comes with this type only. In this section you will also find extra information on the Stat-X Bucky.

1.4 The following information is used on the Stat-X label:



1.5 Stat-X type: this indicates which weight variations the Stat-X is designed for. The minimum and maximum load are indicated as follows:

Type indication	Min weight	Max weight
... 4-15	4 kg	15 kg
... 6-14	6 kg	14 kg
... 6-16	6 kg	16 kg
... 14-23	14 kg	23 kg
... 16-25	16 kg	25 kg

Never use a source or Bucky holder which has more weight than the Stat-X type indicates. This weight variation is also mentioned on the Stat-X label on page 5.



1.6 Serial no: this is a unique number of your Stat-X and contains all detailed information about this specific product. Always mention this serial number when communicating with your supplier.

1.7 'Manufactured': this indicates the date on which your Stat-X was produced.

1.8 The Stat-X should only be used in the following environment:

Temperature: +10 °C to +40 °C

Pressure: 69 - 106 KPa

Humidity range: 30% to 75% RH non-condensing

2.0 Description

The Stat-X is available in 3 different types and is delivered without any X-ray source or cassette. This equipment you need to add yourself.

The Stat-X consists of 3 main parts:

- 1 Mobile base with 4 swivel castors
- 1 Vertical lifting device
- 1 or 2 horizontal swivel arms, depending on the type of stand

This handbook describes the operation of all 3 types of Stat-X.



Stat-X Bucky

Foldable X-ray stand for back, neck, head and hip X-rays. The Stat-X Bucky is furnished with a 3D-connection for the accessory cassette holder.



Stat-X Espléndido

Foldable X-ray stand with 3D head to carry your X-ray source.



Stat-X Vaquero

Foldable X-ray stand to carry your X-ray source.

3.0 Operation

Check for any wear, tear or damage that could compromise your safety before using your Stat-X.

3.1 Unfolding the stand

The Stat-X is delivered in folded position. This is also the position for both storing the device and for transportation.



Apply Brakes

Block the rear castor wheels with the foot pedal.

fig 1



Set the feet of the base:

Release both knobs by turning them leftward so they can move freely.

fig 2



Move both feet outwards until they are blocked at the end of the slotted holes. Tighten both knobs from fig 2 again by turning them to the right.

fig 3



fig 4

Set the vertical lifting device

Push in the red button on the locking pin and pull out the complete pin, while holding the red button. The vertical lifting device will stay in the position as it was before removing the pin.

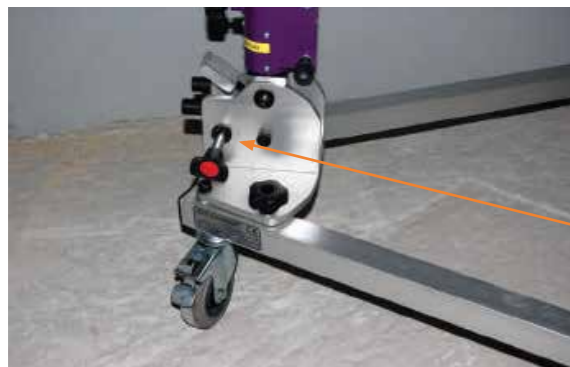


fig 5

Manually lift up the vertical arm 90°, then re-insert in the locking pin into the second locking hole.



fig 6

Make sure the locking pin is pushed in completely.

fig 7



The Stat-X is delivered with the horizontal swivel arm in its central position (lower position for the Espléndido). During transportation the arm should always be in this position, otherwise it is not possible to clamp the arm to the vertical tube. To set the swivel arm in horizontal position, just release the locking bolt.



fig 8

Release the top locking pin by pulling it towards you and turn it 90°. Keep the swivel arm in position with your other free hand.

The swivel arm will fall down if you do not hold it in position



fig 9

Make sure the middle locking pin is in the 'out'-position. Then lower the swivel arm until it is in horizontal position.



fig 10

Lock the middle locking pin by turning it 90°.



fig 11

The Stat-X is now ready for use.

3.2 Mounting the X-ray source

Note: In case you have a Stat-X Espléndido, please turn to page 18 for further instructions about mounting your source. For instructions regarding mounting your cassette holder, please turn to page 11.

When taking the X-ray source off the bracket, the swivel arm may move up very fast. Only take out the source when the swivel arm is in upper position. If necessary, lift the X-ray source by hand in order to put the swivel arm in upper position.



fig 12

Release the hand knob by turning it to the left.



fig 13

- Take off the complete hand knob and you will see a treaded rod.
- Attach your X-ray source over the treaded rod.
- By fastening the hand knob again, the X-ray source will be secured.



fig 14

It is possible to rotate the X-ray source while hanging in the bracket. Release the hand knob by turning it to the left, so the bracket can be rotated to both the left and the right. In order to fix the source in desired position, tighten the hand knob again by turning it to the right.

3.3 Mounting the cassette holder



fig 8

The Stat-X 3D-head

In case you purchased our Stat-X Bucky, we advise you to carefully observe the extra instructions laid out for you in the following chapter. The Bucky 3D-head turns and swivels in all three axes and allows you to put your cassettes in any angle or position you want them to be.



fig 10

Attaching the included cassette holder

Sliding the cassette holder or box onto the Bucky 3D-head is made very easy, but before use of the Stat-X Bucky the user needs to ascertain that the cassette holder has been fastened properly in order to avoid accidents or damage to your equipment.

To attach your cassette holder, pull the black knob and slide the cassette holder onto the head into its final position and make sure the pin clicks into the holder.

The Stat-X Bucky 3D-head allows you to position your cassette holder in all 3 possible axes.



fig 12

X-axis:

In order to turn the cassette holder from left to right, just release the black lever and manually pivot the head on the rotating base. The Stat-X Bucky3D-head gives you a 360° angle.



fig 13

Y-axis:

In order to rotate the cassette holder in its Y-plane, also manually bring the cassette in its desired position. Friction can be augmented with the wrench that is included in your product package.



fig 14

Z-axis:

In order to achieve the right angle in the Z-plane, release the black lever forward, swivel the cassette holder to its desired angle, then fasten the black lever again.

3.4 Setting the weight properties of the swivel arm

The swivel arm is pre-set to carry the weight of your X-ray source. Before using the Stat-X, fine-tuning of the weight setting is necessary. Make sure your X-ray source is mounted in the bracket correctly (see 3.2 Mounting the X-ray source).

Only set the weight adjustment WITH mounted X-ray source. Adjusting without source will inhibit setting of the swivel arm. Make sure the arm is in horizontal position during adjustment.



Together with this manual comes an Allen key, with which you can adjust the weight properties at the intersection of the swivel arm and the central core:



fig 15

By turning the key clockwise, the arm can carry less weight, by turning the key counter-clockwise, the arm can carry more weight. The adjustment setting is correct when the swivel arm stays in place in every vertical position.

3.5 Moving the swivel arm

fig 16

Rotating the arm in horizontal plane by 5° to either the left or the right is possible by releasing the hand knob.



fig 17

Vertical lifting of the swivel arm: Release the hand knob according fig 16, push the release pedal slowly by pressing down your foot. During this process hold your hand to the black bow grip. This will prevent sudden movements of the tube, swivel arm and X-ray source.

Do not release the foot handle without an X-ray tube hanging in the swivel arm. The lifting device may go up very fast and may cause injuries to the user!



fig 18

In order to bring the arm in a lower position, just push on top of the vertical tube.

Always do this when the X-ray source is attached. This makes it much easier to push in the tube.



fig 19

3.6 Changing positions of the swivel arm

With each type of Stat-X it is possible to set the swivel arm in 3 different positions in order to achieve a wider imaging field.

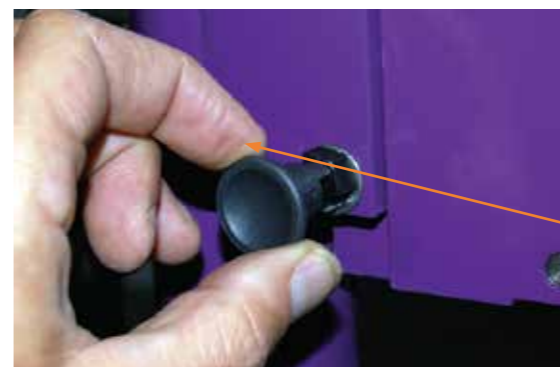


fig 20

Release the top locking pin by pulling it towards you and turning it 90° to the left.



fig 21

Place the swivel arm in the required position. To fixate the arm, turn the locking knob 90° to the right.



fig 22

When you move the Stat-X, always hold the device by one of the black bow grips.

If you pull the Stat-X other than by the black bow grips, you risk the Stat-X falling and injuring the user or damaging the equipment.



3.7 Transport positions



fig 23

Horizontal position: the Stat-X is resting on the wheels. Lift the Stat-X by the middle bow grip.



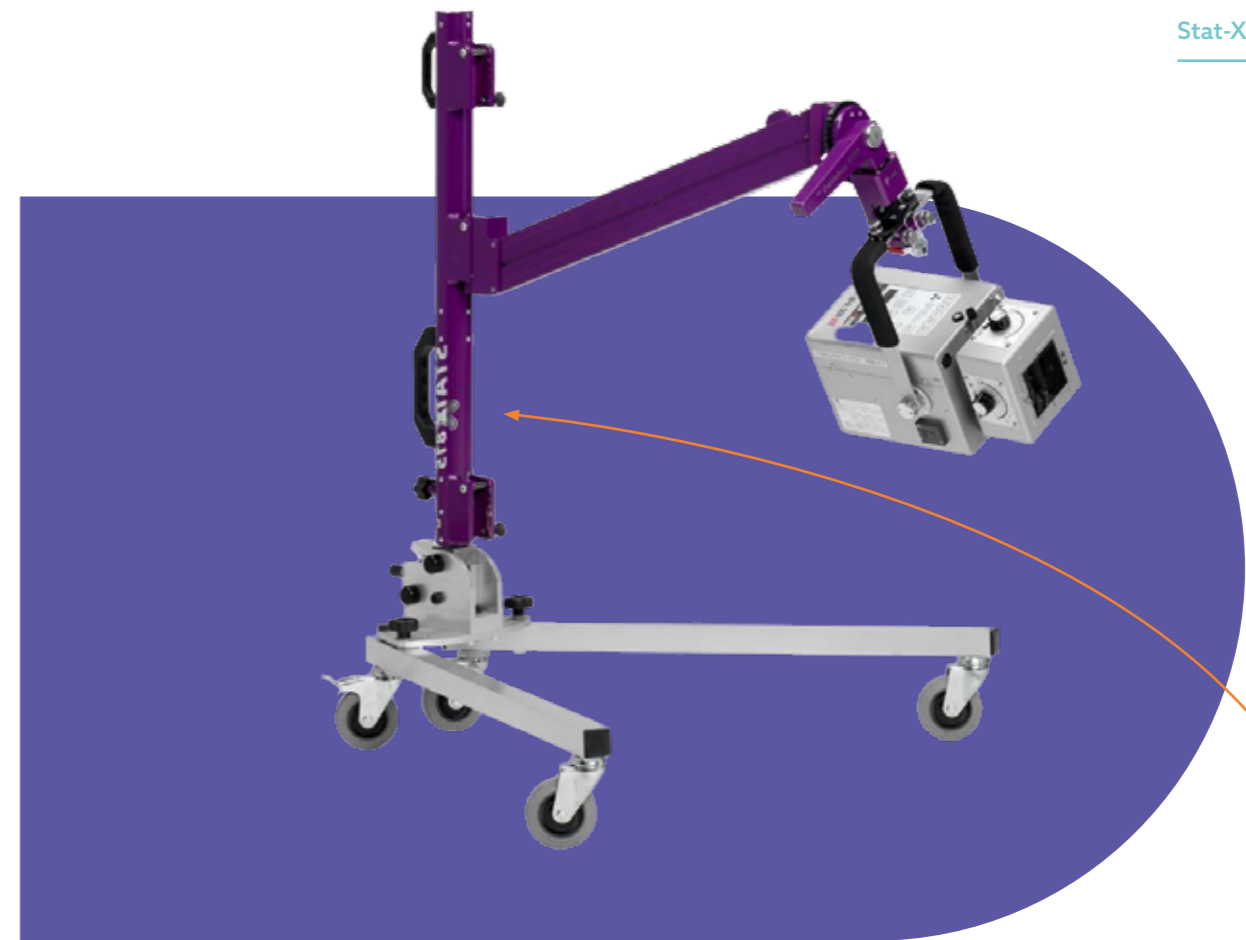
fig 24

Vertical position: the Stat-X is resting on the feet of the base frame and on 2 buffers. In case the Stat-X is transported in a car in its vertical position, it is essential the device be tied to a fixed point in the car.



fig 25

Pushing: the Stat-X is resting on 2 wheels. The Stat-X can be moved by pushing it forward. Pulling the Stat-X is possible, but not convenient.



4 Service

The Stat-X does not require servicing, however a regular 4-monthly check for any wear or physical damage that could impair function is recommended. This check should include the following:

- Check if the 4 wheels are running free
- Check if the brake of either wheel is functioning well
- Check if the sliding tube is clean and free of dirt
- Check if the locking knobs are functioning well by turning them 90° both ways. The inner pin has to go in and come out of the housing (also see fig 8 and 10)
- Check on damages on the entire device

5 Use of the Stat-X Espléndido 3D-head

The Stat-X Espléndido comes with a revolutionary addition, a 3D-head that will give you extra opportunities for both improving and facilitating your work. This cunning device needs tender loving care, however, which is not much of an effort on your part. When following the steps below, the Stat-X Espléndido will be a great asset to your practice.



fig 26

The Stat-X Espléndido will be delivered to you as seen in fig 26, that is to say, with the V-shape of the 3D-head pointing downwards. In rest - or during transportation - this should always be the case to prevent damage to the head.



fig 27

On the previous pages you were shown how to set up the Stat-X Espléndido. Pins in? Knobs tightened? Castor wheels locked? Good!

The new 3D-head now allows you to rotate your source 360° in all directions and secure its position with a multi-stage locking system.



fig 28

In order to be able to hang in your source, press the handle at the back of the head and turn the coupling downwards.



fig 29

While holding the handle turn the coupling down to a 'hanging' position.



fig 30

The Espléndido package includes a set of 4 metal pieces, 2 screws and a small allen key.

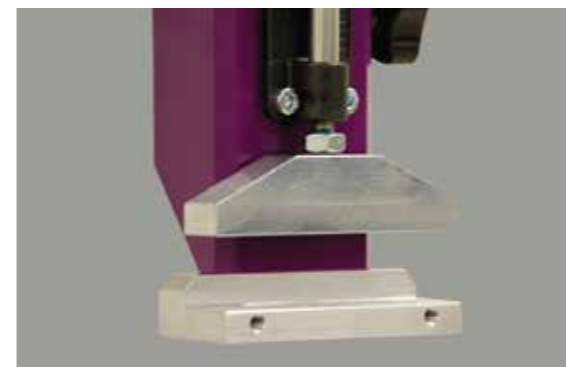


fig 31

One of the pieces will fit the width of your source-handle precisely and clench it tightly. You will only need to screw it on once, unless you use multiple sources.



fig 32

Hang in your source and choose the piece that fits your source-handle best and screw it onto the head with the included screws.



fig 33

Now take a no. 13 wrench and either tighten or loosen the bolt in such fashion that locking the lever to a downward position -with your source in place - will require a little - but not too much - effort and will secure your source into the lock.



fig 34

Hang in the source and pull the red lever down.

When done X-raying, just lift up the red lever and pull out your source.



fig 35

Your source is now secured and the Stat-X Espléndido is ready for use.



fig 36

When rotating your source, always use both hands, guide the source with one hand to the desired position and use the other to push the handle.



fig 37

Press the back of the handle in order to release the 3D-head and then rotate the source.



fig 38

After taking X-rays and packing away your Stat-X Espléndido, always be sure to put the V-shaped 3D-head in a downward position, both when storing and transporting the stand.



Podoblock:

- Makes work easier
- Excellent service
- Safe and ergonomic working
- Global delivery
- Excellent quality products
- Customization
- Products easy to transport

Verlengde Nijverheidsweg 10
9482 WT Tynaarlo
The Netherlands
+31 50 8200 257
info@podoblock.com
[podoblock.com](https://www.podoblock.com)